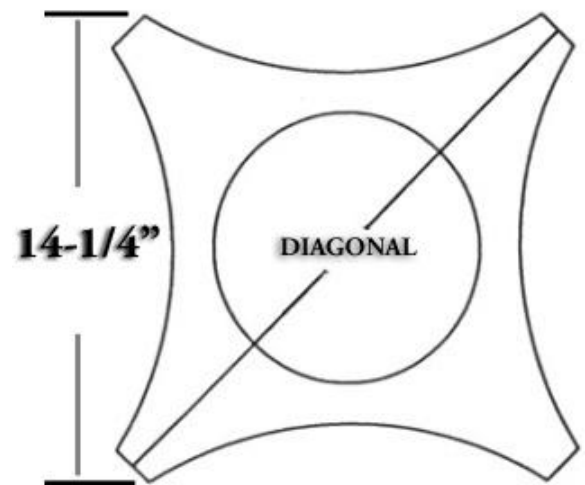
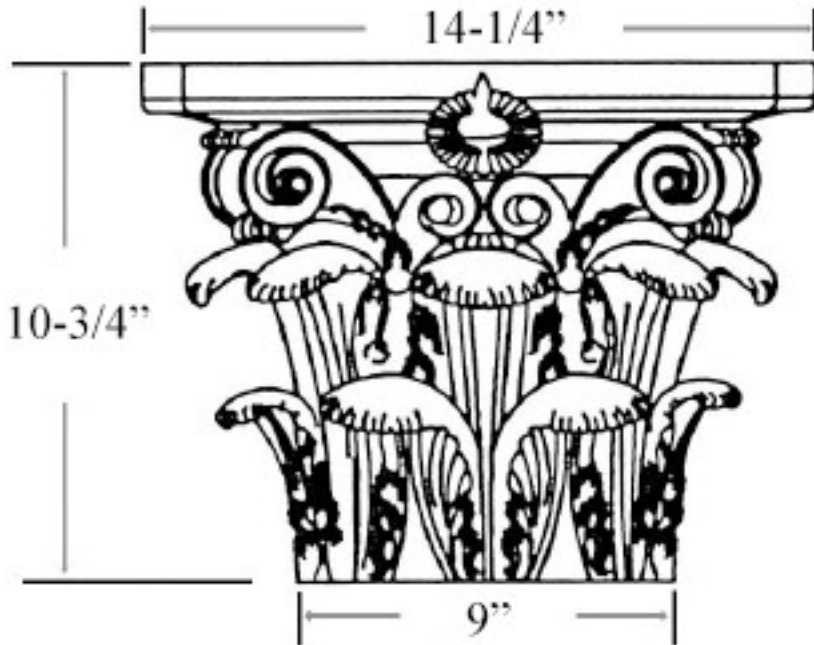


CHADSWORTH INCORPORATED

FRP COMPOSITE CAPITALS

ROMAN CORINTHIAN CAPITAL FOR A 10" COLUMN



$$\text{DIAGONAL} = \sqrt{w^2 + w^2}$$

SPECIFICATIONS

Load Bearing:	Yes
Product Weight:	30 lbs
Material:	FRP Composite Fiberglass
Base Width:	9"
Height:	10-3/4"
Abacus:	14-1/4"
Inner Diameter:	6"