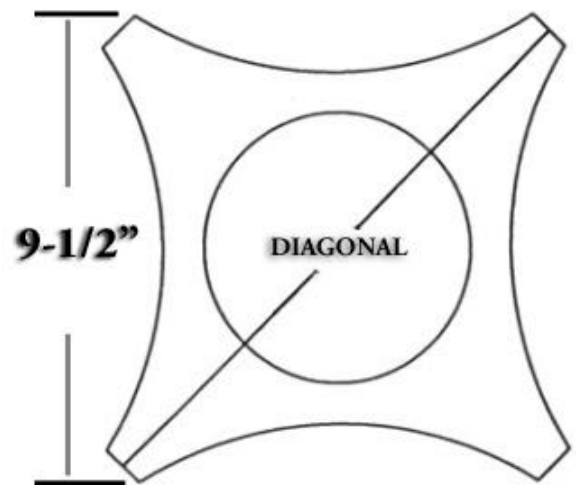
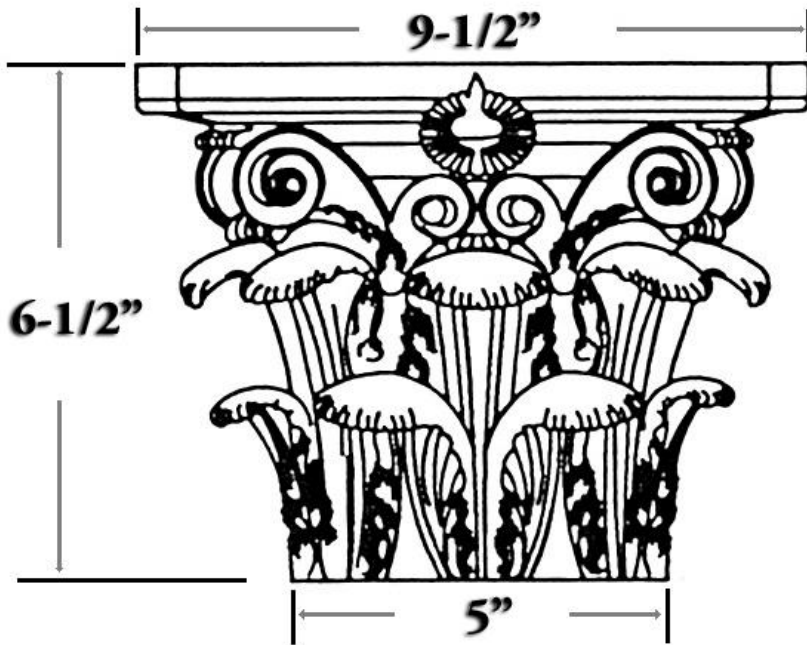


CHADSWORTH INCORPORATED

FRP COMPOSITE CAPITALS

ROMAN CORINTHIAN CAPITAL FOR A 6" COLUMN



$$\text{DIAGONAL} = \sqrt{w^2 + w^2}$$

SPECIFICATIONS

Load Bearing:	Yes
Product Weight:	10 lbs
Material:	FRP Composite Fiberglass
Base Width:	5"
Height:	6-1/2"
Abacus:	9-1/2"
Inner Diameter:	2-1/4"