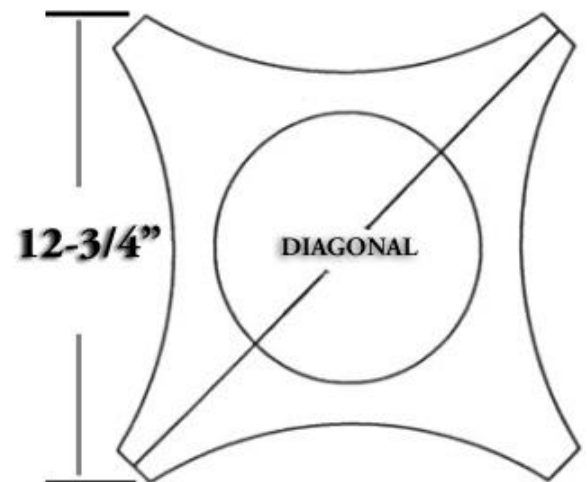
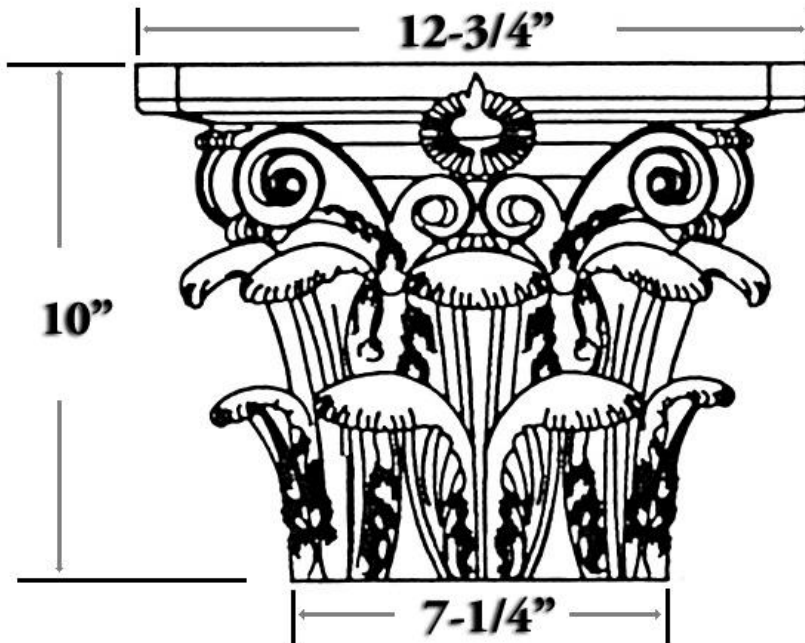


# CHADSWORTH INCORPORATED

## FRP COMPOSITE CAPITALS

### ROMAN CORINTHIAN CAPITAL FOR AN 8" COLUMN



$$\text{DIAGONAL} = \sqrt{w^2 + w^2}$$

#### SPECIFICATIONS

Load Bearing:	Yes
Product Weight:	23 lbs
Material:	FRP Composite Fiberglass
Base Width:	7-1/4"
Height:	10"
Abacus:	12-3/4"
Inner Diameter:	4-3/8"