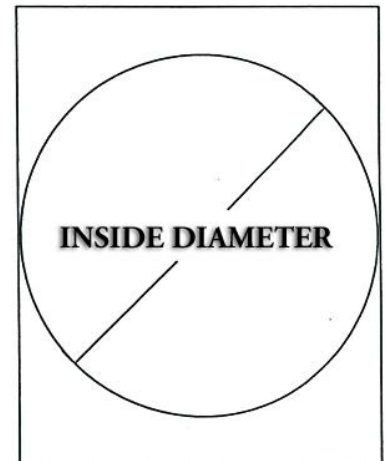
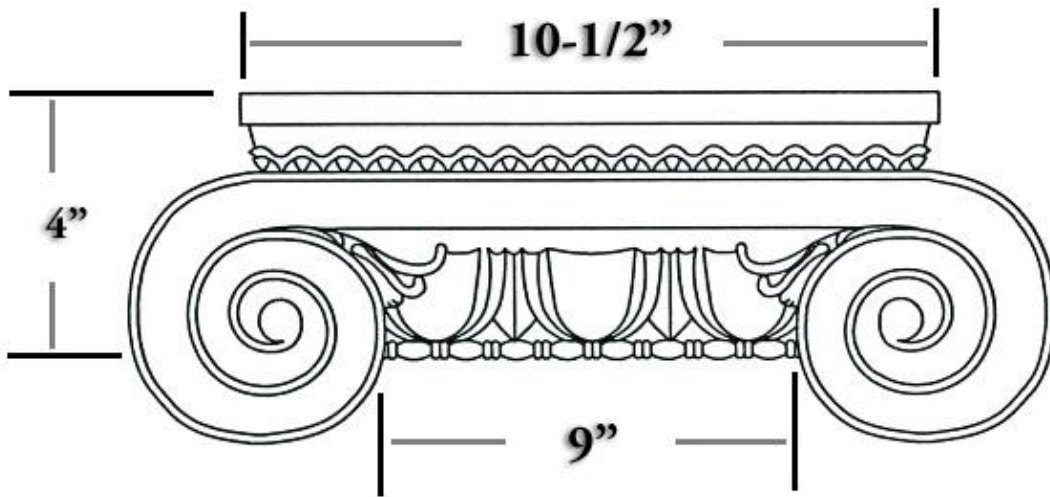


CHADSWORTH INCORPORATED

FRP COMPOSITE CAPITALS

ROMAN IONIC CAPITAL FOR A 10" COLUMN



SPECIFICATIONS

Load Bearing:	Yes
Product Weight:	19.5 lbs
Material:	FRP Composite Fiberglass
Base Width:	9"
Height:	4"
Abacus:	10-1/2"
Inner Diameter:	6"