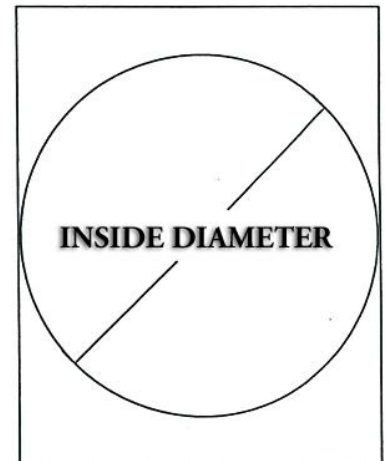
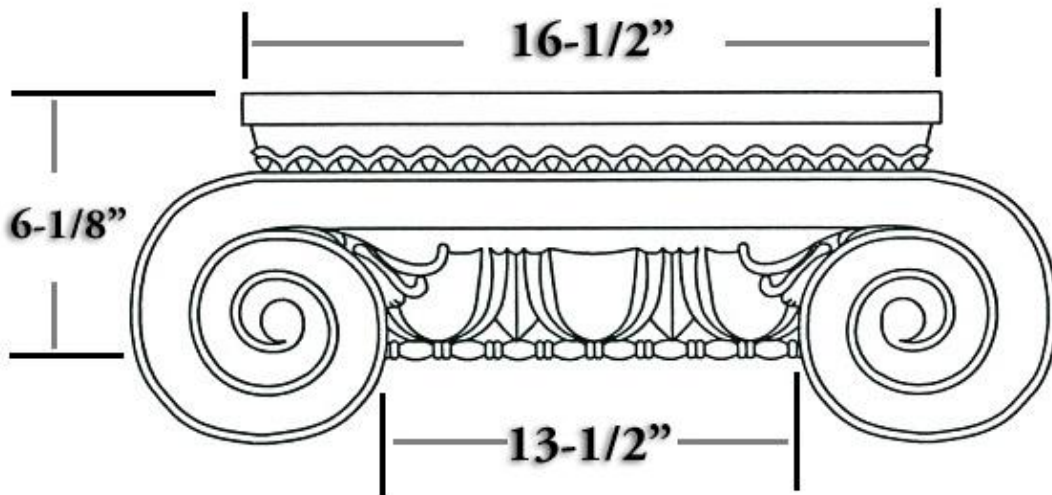


# CHADSWORTH INCORPORATED

## FRP COMPOSITE CAPITALS

### ROMAN IONIC CAPITAL FOR A 16" COLUMN



#### SPECIFICATIONS

Load Bearing:	Yes
Product Weight:	65 lbs
Material:	FRP Composite Fiberglass
Base Width:	13-1/2"
Height:	6-1/8"
Abacus:	16-1/2"
Inner Diameter:	11"