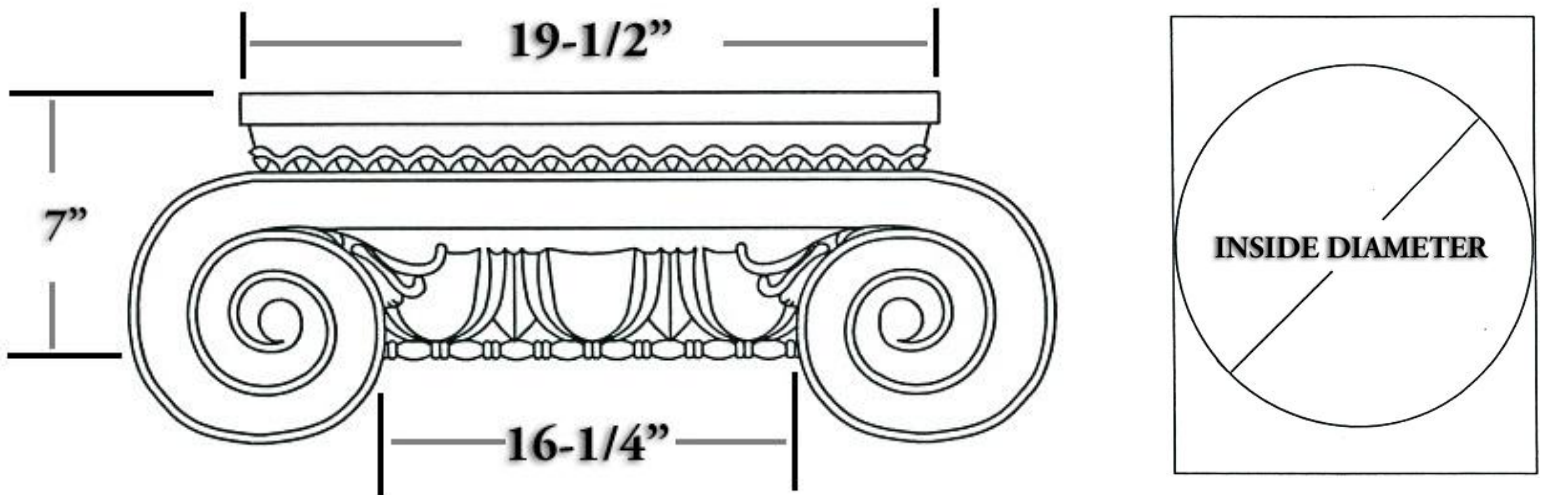


CHADSWORTH INCORPORATED

FRP COMPOSITE CAPITALS

ROMAN IONIC CAPITAL FOR AN 18" COLUMN



SPECIFICATIONS

Load Bearing:	Yes
Product Weight:	100 lbs
Material:	FRP Composite Fiberglass
Base Width:	16-1/4"
Height:	7"
Abacus:	19-1/2"
Inner Diameter:	13-1/4"