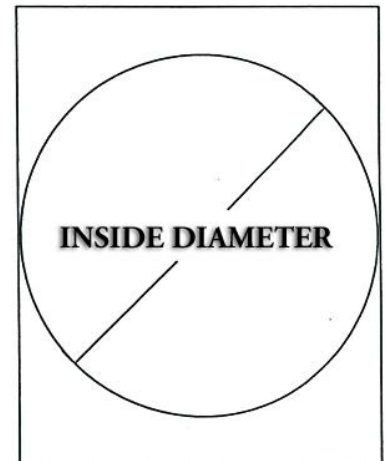
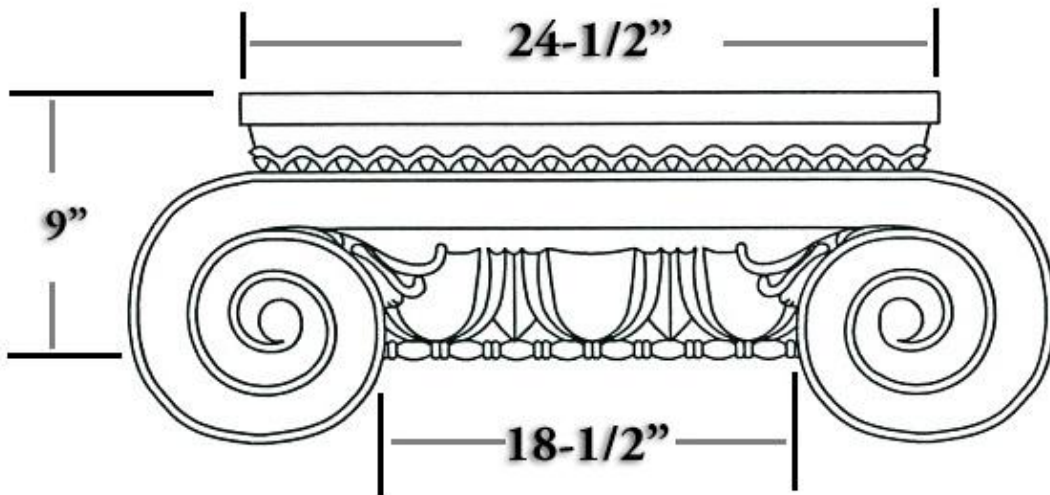


CHADSWORTH INCORPORATED

FRP COMPOSITE CAPITALS

ROMAN IONIC CAPITAL FOR A 20" COLUMN



SPECIFICATIONS

Load Bearing:	Yes
Product Weight:	190 lbs
Material:	FRP Composite Fiberglass
Base Width:	18-1/2"
Height:	9"
Abacus:	24-1/2"
Inner Diameter:	14-1/2"