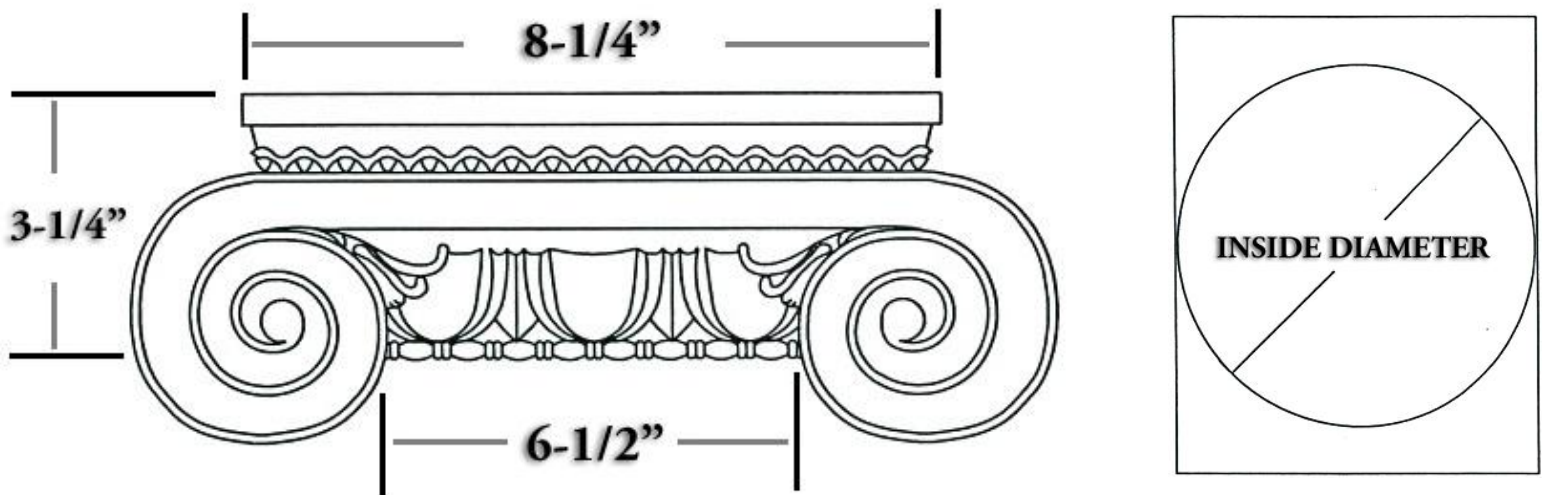


CHADSWORTH INCORPORATED

FRP COMPOSITE CAPITALS

ROMAN IONIC CAPITAL FOR AN 8" COLUMN



SPECIFICATIONS

Load Bearing:	Yes
Product Weight:	11 lbs
Material:	FRP Composite Fiberglass
Base Width:	6-1/2"
Height:	3-1/4"
Abacus:	8-1/4"
Inner Diameter:	3-3/4"