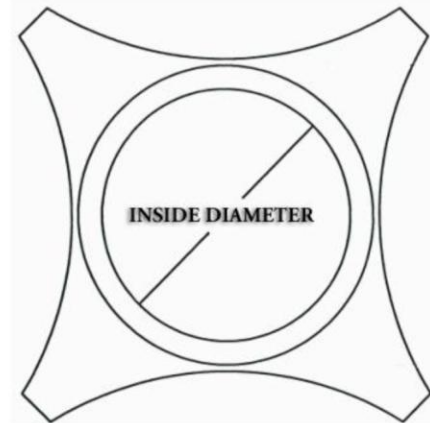
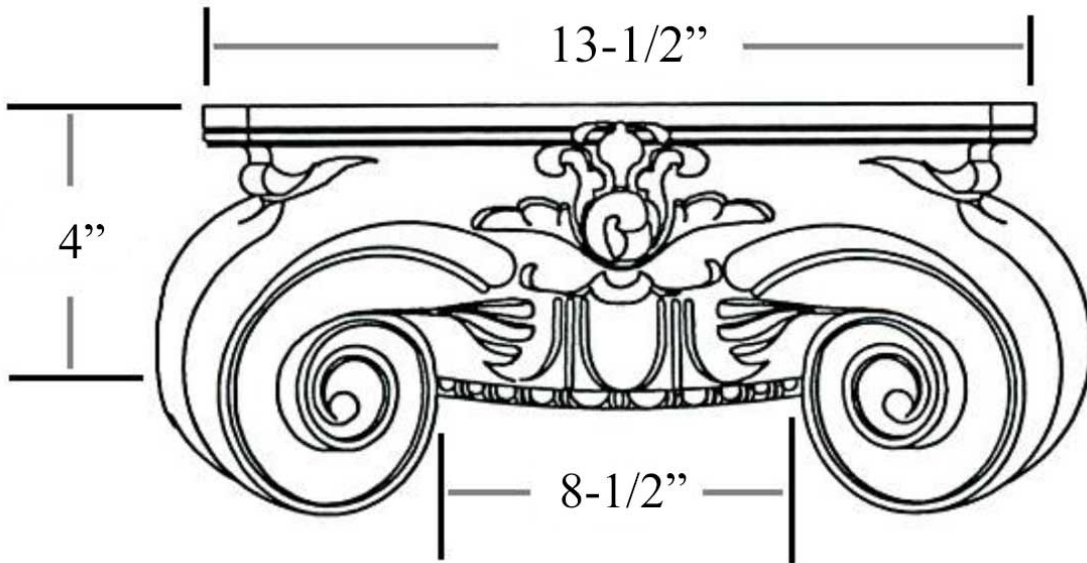


CHADSWORTH INCORPORATED

FRP COMPOSITE CAPITALS

SCAMOZZI CAPITAL FOR A 10" COLUMN



SPECIFICATIONS

| | |
|-----------------|--------------------------|
| Load Bearing: | Yes |
| Product Weight: | 19 lbs |
| Material: | FRP Composite Fiberglass |
| Base Width: | 8-1/2" |
| Height: | 4" |
| Abacus: | 13-1/2" |
| Inner Diameter: | 6-1/4" |

CHADSWORTH INCORPORATED ▪ 277 NORTH FRONT STREET ▪ HISTORIC WILMINGTON, NC 28401

PHONE: 1.800.486.2118 ▪ FAX: 910.763.3191 ▪ E-MAIL: sales@columns.com