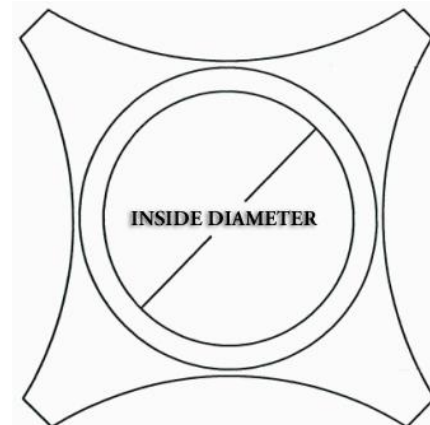
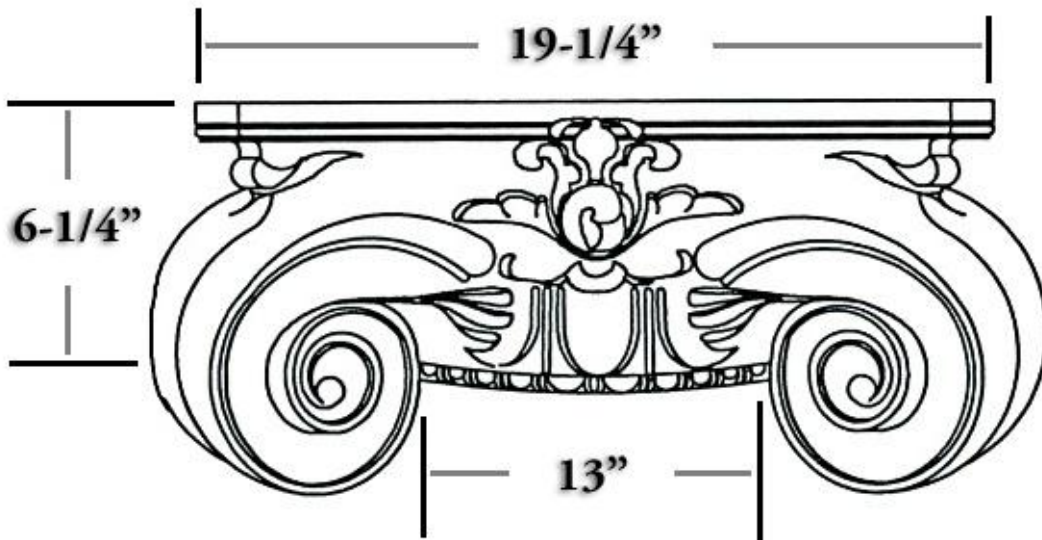


CHADSWORTH INCORPORATED

FRP COMPOSITE CAPITALS

SCAMOZZI CAPITAL FOR A 14" COLUMN



SPECIFICATIONS

Load Bearing:	Yes
Product Weight:	50 lbs
Material:	FRP Composite Fiberglass
Base Width:	13"
Height:	6-1/4"
Abacus:	19-1/4"
Inner Diameter:	9"