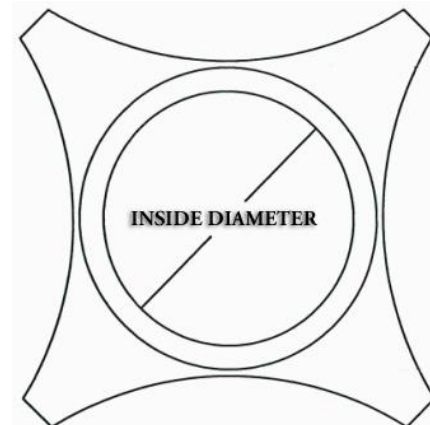
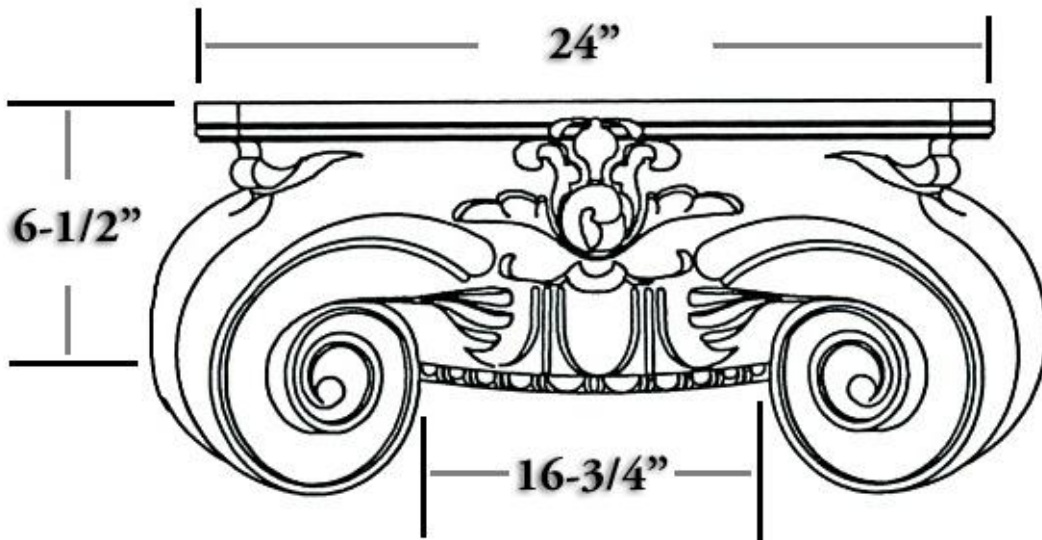


CHADSWORTH INCORPORATED

FRP COMPOSITE CAPITALS

SCAMOZZI CAPITAL FOR AN 18" COLUMN



SPECIFICATIONS

Load Bearing:	Yes
Product Weight:	130 lbs
Material:	FRP Composite Fiberglass
Base Width:	16-3/4"
Height:	6-1/2"
Abacus:	24"
Inner Diameter:	13-1/4"

CHADSWORTH INCORPORATED • 277 NORTH FRONT STREET • HISTORIC WILMINGTON, NC 28401

PHONE: 1.800.486.2118 • FAX: 910.763.3191 • E-MAIL: sales@columns.com