

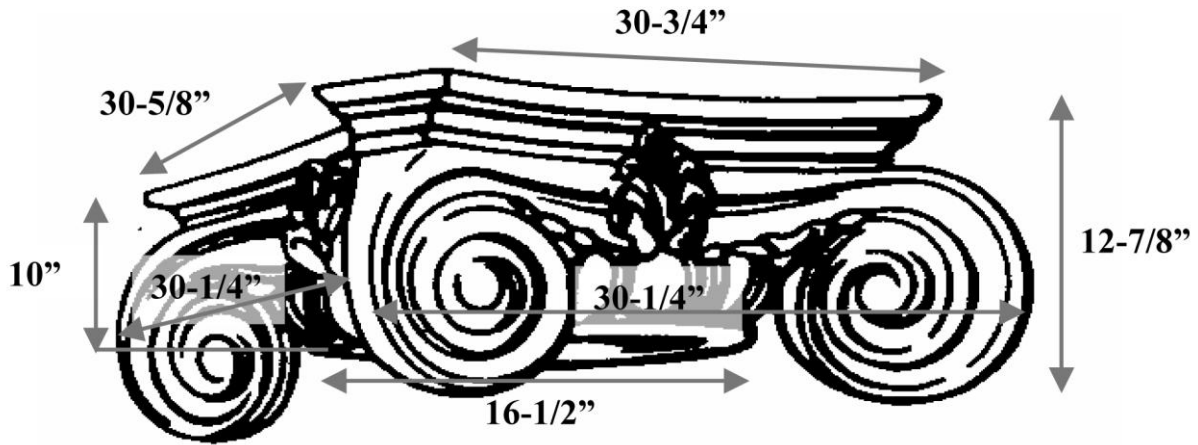


CHADSWORTH COLUMNS



1-800-COLUMNS | www.COLUMNS.com | shop.columns.com

EMPIRE CAPITAL FOR AN 18" COLUMN



Quantity:	Name: Empire	Diameter: 16-1/2"
Material: PolyStone® Composite	Part #: DECO-E-16-1/2-CM-A-9	Height: 10"
Load-Bearing: Yes	Column Size: 18"	Abacus: 30-3/4" x 30-5/8"



FULL ROUND



3/4 CORNER ROUND



2/3 CHORD ROUND



HALF ROUND



3/4 CHORD ROUND



SLIDE-ON ROUND



SPLIT FOR REASSEMBLY

APPROVED BY

DATE

CHADSWORTH'S 1.800.COLUMNS

277 NORTH FRONT STREET
HISTORIC WILMINGTON, NC 28401

www.COLUMNS.com

PROJECT

CUSTOMER
