

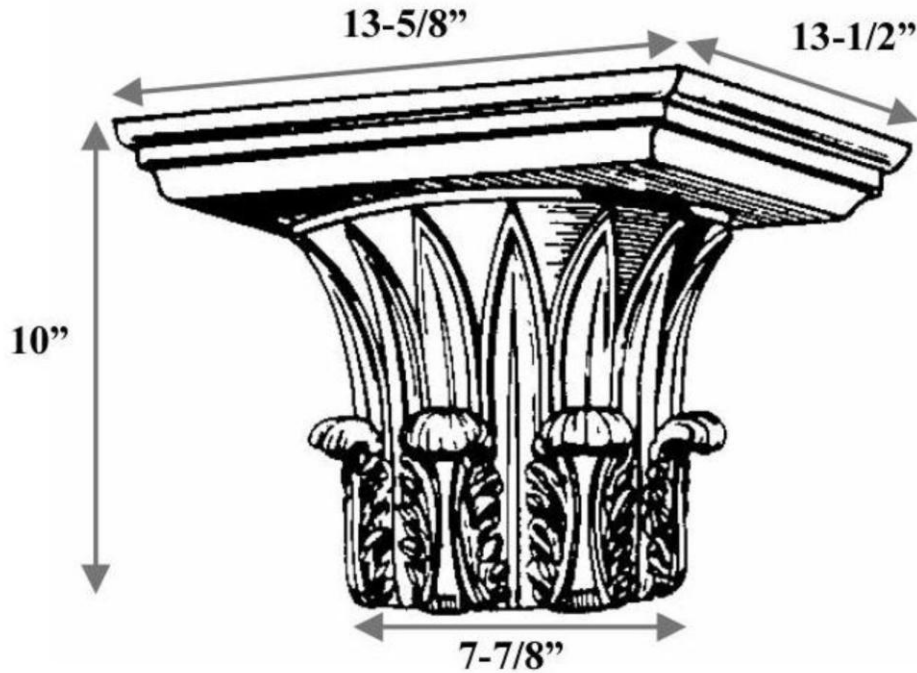


CHADSWORTH COLUMNS



1-800-COLUMNS | www.COLUMNS.com | shop.columns.com

GREEK CORINTHIAN "TOWER OF THE WINDS" CAPITAL FOR A 10" COLUMN



Quantity:
Material: PolyStone® Composite
Load-Bearing: Yes

Name: Greek Corinthian
Part #: DECO-GC-07-7/8-CM-A-9
Column Size: 10"

Diameter: 7-7/8"
Height: 10"
Abacus: 13-5/8" x 13-1/2"



FULL
ROUND



3/4 CORNER
ROUND



2/3 CHORD
ROUND



HALF
ROUND



3/4 CHORD
ROUND



SLIDE-ON
ROUND



SPLIT FOR
REASSEMBLY

APPROVED BY

DATE

CHADSWORTH'S 1.800.COLUMNS

277 NORTH FRONT STREET
HISTORIC WILMINGTON, NC 28401

www.COLUMNS.com

PROJECT

CUSTOMER
