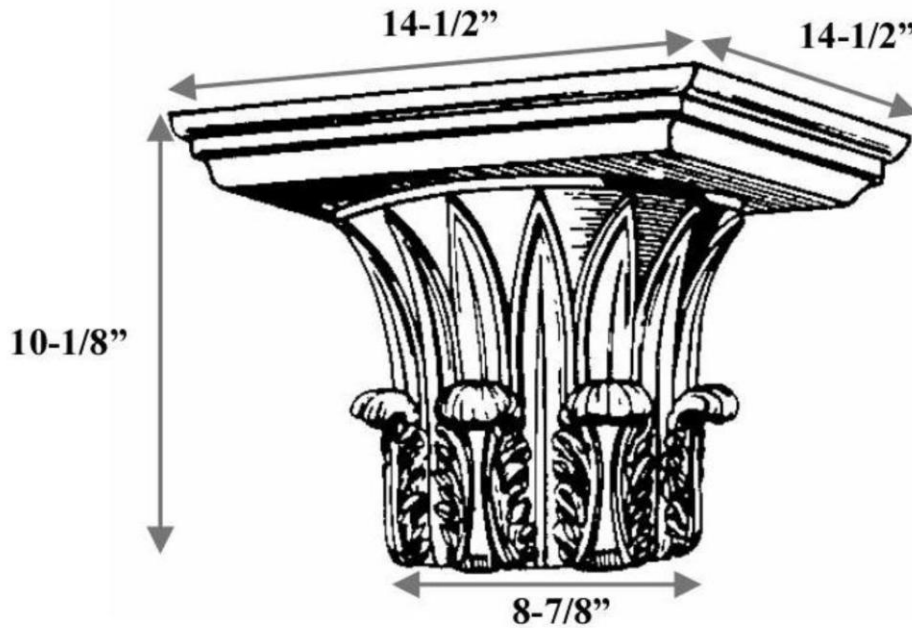


# CHADSWORTH COLUMNS

1-800-COLUMNS | www.COLUMNS.com | shop.columns.com

## GREEK CORINTHIAN "TOWER OF THE WINDS" CAPITAL FOR A 10" COLUMN



<b>Quantity:</b>	<b>Name:</b> Greek Corinthian	<b>Diameter:</b> 8-7/8"
<b>Material:</b> PolyStone® Composite	<b>Part #:</b> DECO-GC-08-7/8-CM-A-9	<b>Height:</b> 10-1/8"
<b>Load-Bearing:</b> Yes	<b>Column Size:</b> 10"	<b>Abacus:</b> 14-1/2" x 14-1/2"



FULL ROUND



3/4 CORNER ROUND



2/3 CHORD ROUND



HALF ROUND



3/4 CHORD ROUND



SLIDE-ON ROUND



SPLIT FOR REASSEMBLY

APPROVED BY _____
DATE _____

CHADSWORTH'S 1.800.COLUMNS  
277 NORTH FRONT STREET  
HISTORIC WILMINGTON, NC 28401  
www.COLUMNS.com

PROJECT _____
CUSTOMER _____