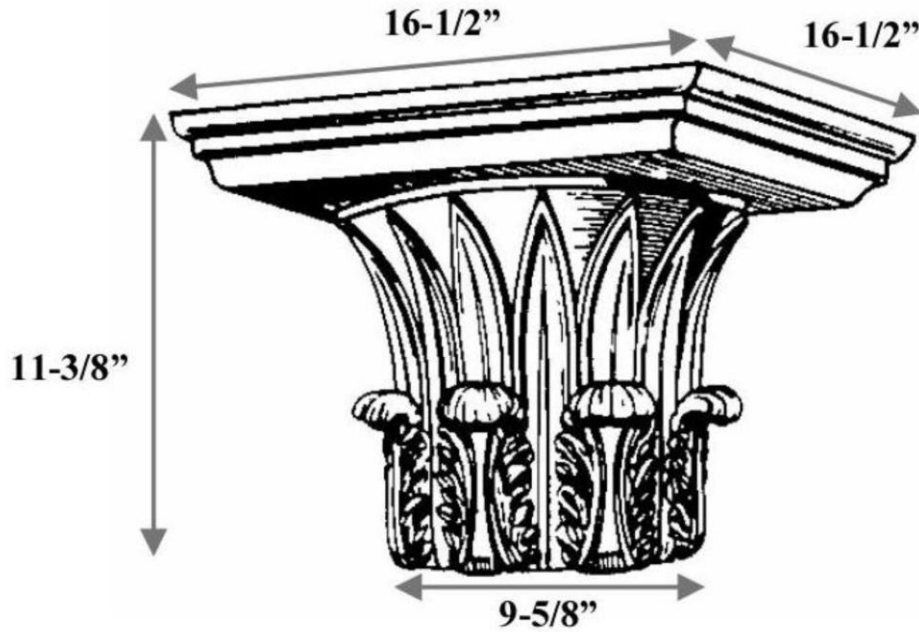


CHADSWORTH COLUMNS

1-800-COLUMNS | www.COLUMNS.com | shop.columns.com

GREEK CORINTHIAN "TOWER OF THE WINDS" CAPITAL FOR A 12" COLUMN



Quantity:	Name: Greek Corinthian	Diameter: 9-5/8"
Material: PolyStone® Composite	Part #: DECO-GC-09-5/8-CM-A-9	Height: 11-3/8"
Load-Bearing: Yes	Column Size: 12"	Abacus: 16-1/2" x 16-1/2"



FULL ROUND



3/4 CORNER ROUND



2/3 CHORD ROUND



HALF ROUND



3/4 CHORD ROUND



SLIDE-ON ROUND



SPLIT FOR REASSEMBLY

APPROVED BY _____
DATE _____

CHADSWORTH'S 1.800.COLUMNS

277 NORTH FRONT STREET
HISTORIC WILMINGTON, NC 28401

www.COLUMNS.com

PROJECT _____
CUSTOMER _____