

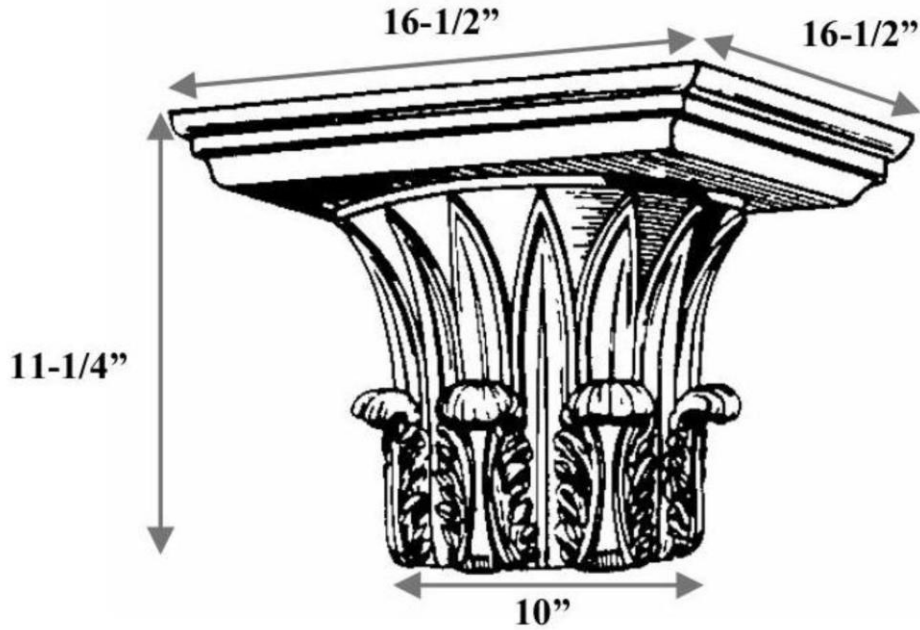


CHADSWORTH COLUMNS



1-800-COLUMNS | www.COLUMNS.com | shop.columns.com

GREEK CORINTHIAN "TOWER OF THE WINDS" CAPITAL FOR A 12" COLUMN



| | | |
|---------------------------------------|----------------------------------|----------------------------------|
| Quantity: | Name: Greek Corinthian | Diameter: 10" |
| Material: PolyStone® Composite | Part #: DECO-GC-10-CM-A-9 | Height: 11-1/4" |
| Load-Bearing: Yes | Column Size: 12" | Abacus: 16-1/2" x 16-1/2" |



FULL
ROUND



3/4 CORNER
ROUND



2/3 CHORD
ROUND



HALF
ROUND



3/4 CHORD
ROUND



SLIDE-ON
ROUND



SPLIT FOR
REASSEMBLY

APPROVED BY

DATE

CHADSWORTH'S 1.800.COLUMNS

277 NORTH FRONT STREET
HISTORIC WILMINGTON, NC 28401

www.COLUMNS.com

PROJECT

CUSTOMER
