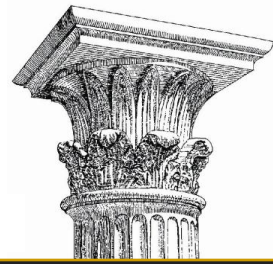
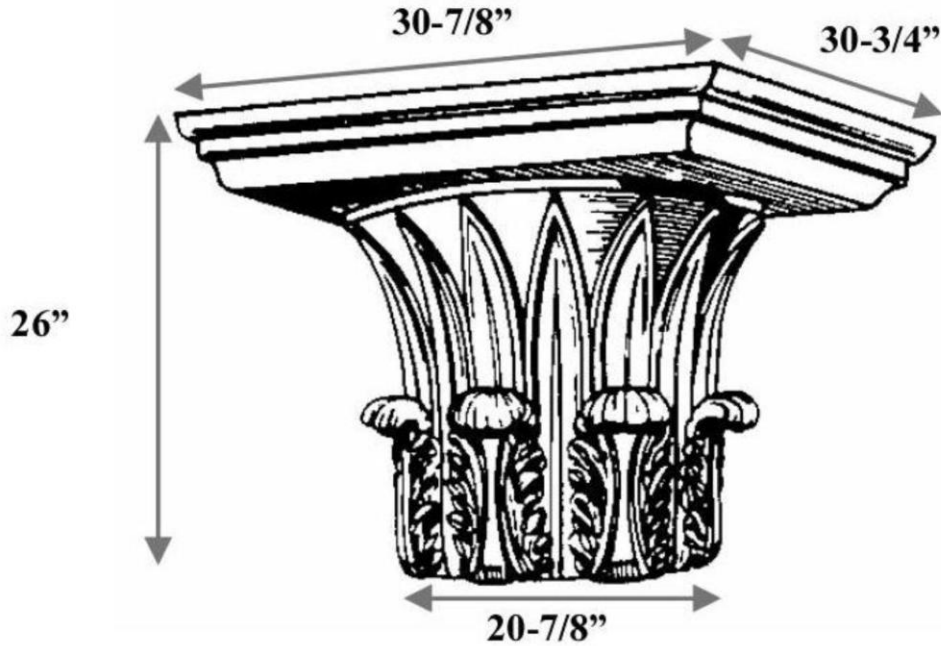


CHADSWORTH COLUMNS



1-800-COLUMNS | www.COLUMNS.com | shop.columns.com

GREEK CORINTHIAN "TOWER OF THE WINDS" CAPITAL FOR A 22" -24" COLUMN



Quantity:	Name: Greek Corinthian	Diameter: 20-7/8"
Material: PolyStone® Composite	Part #: DECO-GC-20-7/8-CM-A-9	Height: 26" (+ 5/8" Plug)
Load-Bearing: Yes	Column Size: 22" - 24"	Abacus: 30-7/8" x 30-3/4"



FULL
ROUND



3/4 CORNER
ROUND



2/3 CHORD
ROUND



HALF
ROUND



3/4 CHORD
ROUND



SLIDE-ON
ROUND



SPLIT FOR
REASSEMBLY

APPROVED BY

DATE

CHADSWORTH'S 1.800.COLUMNS

277 NORTH FRONT STREET
HISTORIC WILMINGTON, NC 28401

www.COLUMNS.com

PROJECT

CUSTOMER
