



# CHADSWORTH COLUMNS



## Polyurethane Moulding Installation Instructions

### Important Information

Carefully read and follow installation instructions in full before beginning installation.

- Place moulding in room 2 to 3 days prior to installation. This allows the moulding to acclimate to the humidity and temperature of the room.
- It is highly recommended that you paint or finish moulding prior to installation.
- A high-quality exterior latex paint is recommended. **(Do not use lacquer paints.)**

### Pre-Installation

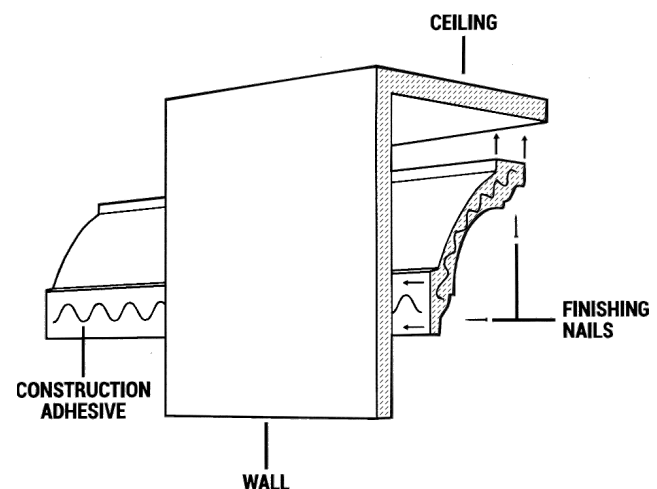
- Clean installation surface and back of moulding of all dirt and dust with a clean cloth or sponge. Make sure that the surface and the back of the moulding are completely dry before attempting installation.
- Prior to cutting, mark projection and depth on walls and ceilings.

### Installation

- Cut prior to installation, matching up details as necessary.
- Cut mouldings  $\frac{1}{4}$ " longer and spring into place. If necessary, screw a wooden block to the wall and spring moulding against the block. Once glued and nailed into place, remove the block.
- Cut  $45^\circ$  compound miters for inside and outside corners. **(Do not cope inside corners.)**
- Cut butt joints for all straight joints. Apply adhesive to both edges. **(Do not use scarf or lap joints.)**
- After moulding has been glued and nailed in place, apply caulk in remaining gaps and smooth with finger or putty knife.
- Fill nail holes with vinyl spackle or caulk.
- Once installed, you can apply any necessary touchup paint or finish.

### Tool & Material Checklist:

- Construction adhesive
- Elastomeric adhesive caulk
- Caulking gun
- Finishing nails
- Miter saw
- Putty knife
- Chalk line box
- Pencil
- Vinyl spackle (*optional*)



CHADSWORTH INCORPORATED

277 North Front Street • Historic Wilmington, NC 28401 • E-mail: sales@columns.com

Phone: 1.800.486.2118 • Facsimile: 1.910.763.3191