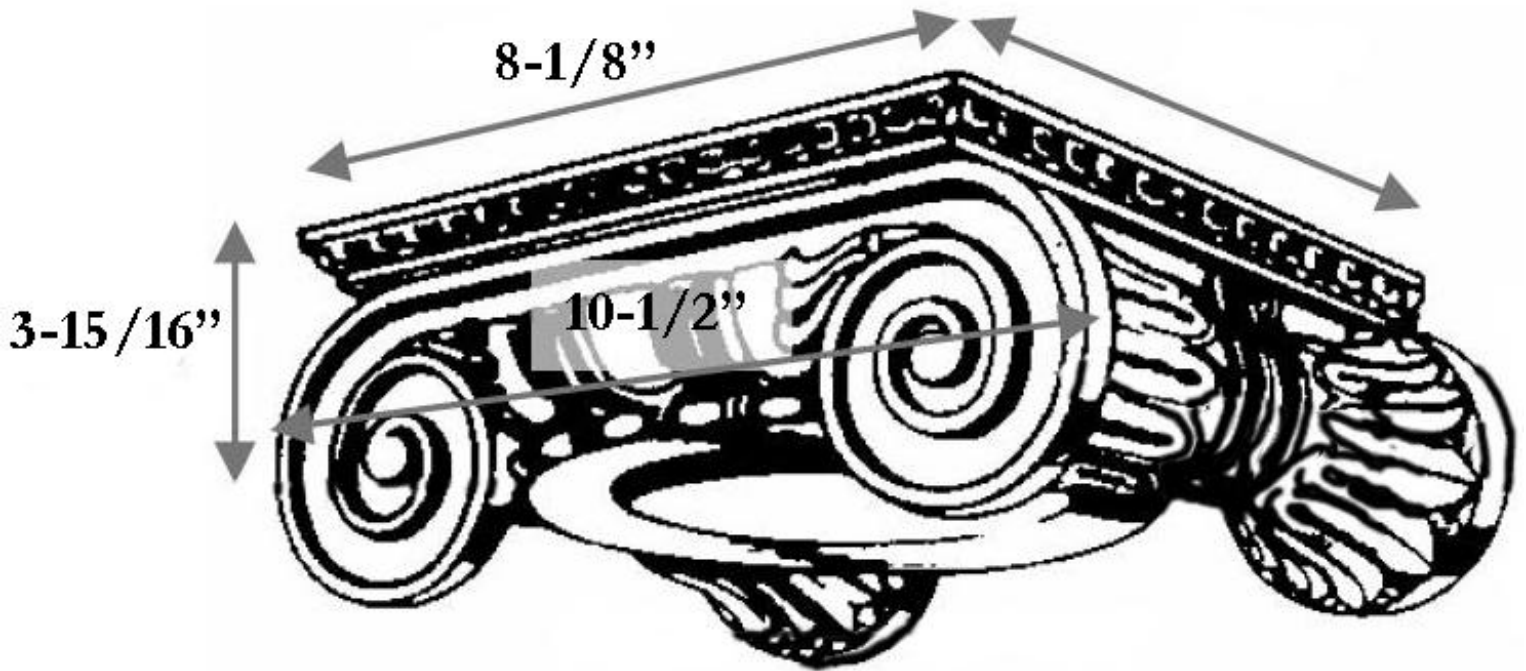


CHADSWORTH INCORPORATED

POLYURETHANE ROMAN IONIC CAPITALS

FOR AN 8" COLUMN



SPECIFICATIONS

Load Bearing:	No
Material:	High Quality Polyurethane
Column Size:	8"
Height:	3-15/16"
Abacus:	8-1/8"
Capital Projection:	3-1/8"
Outside to Outside:	10-1/2"

CHADSWORTH INCORPORATED • 277 NORTH FRONT STREET • HISTORIC WILMINGTON, NC 28401

PHONE: 1.800.486.2118 • FAX: 910.763.3191 • E-MAIL: sales@columns.com